

HAAS
+
SOHN

Firepot

Equipment sheet
Fireplace stove

GB

0424618001400b

Introduction

We thank you very much for purchasing our product!

The description of the heating device will inform you in detail about the design, technical specification and operation of the heating device. We recommend you to acquaint yourselves closely with these data. In this way, you will avoid possible faults during the proper assembly and operation.

You will find detailed conditions of installation and operation in General Manual of Operation (included in the scope of the delivery).

Notes in the text

GB



Of utmost importance there are the notes entitled **WARNING**. The notes entitled **WARNING** advise you on **serious danger of damage to the heating device or of an injury**.



The note entitled **Notice** advises you on possible damage to your heating device.



The note entitled **Important** calls your attention to the information important for the operation of your heating device.



The note itself calls your attention to the information important for the operation of your heating device in general.

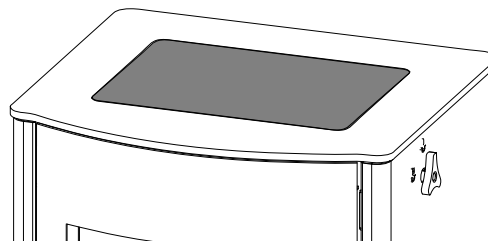
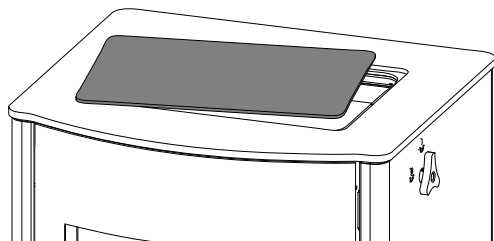
Contents

1. Technical description	1
2. List of spare parts	2
2.1. Overall scheme of the model	2
2.2. Detail A1	4
3. Easy control	5
4. Hotplate temperature control	6
5. Cleaning the flue gas pipe	7
6. Change of the external air input	8



CAUTION

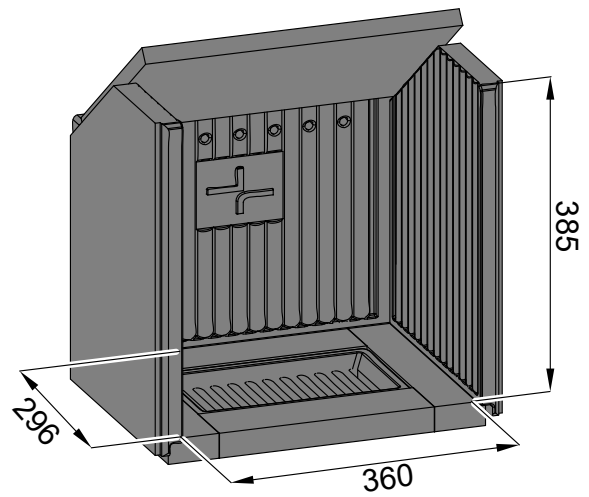
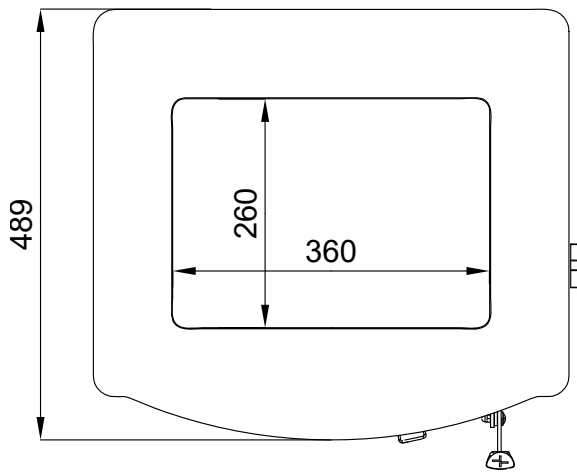
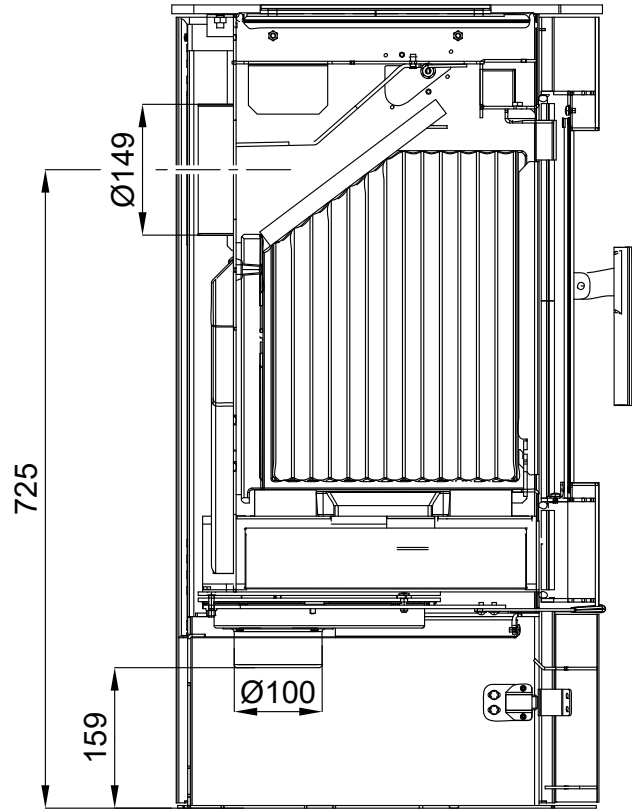
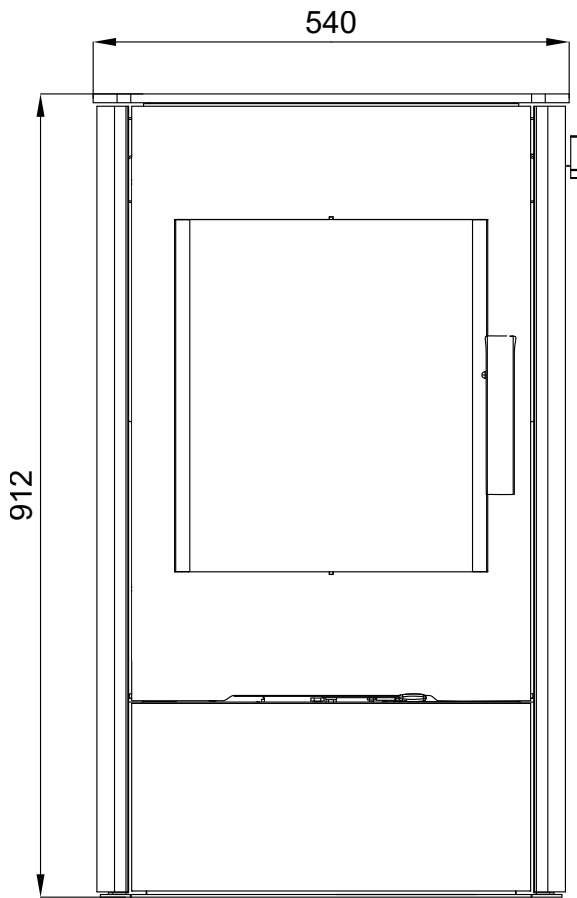
Before each heating, make sure that the hotplate is properly inserted into the hole in the lid and the flue gas path is sealed with the hotplate!



Note

For cleaning the stainless steel sides, we recommend using a suitable cleaner, e.g. AUTOSOL Power Stainless Steel Cleaner. Clean only when the stove has cooled down!

1. Technical description



Technical description

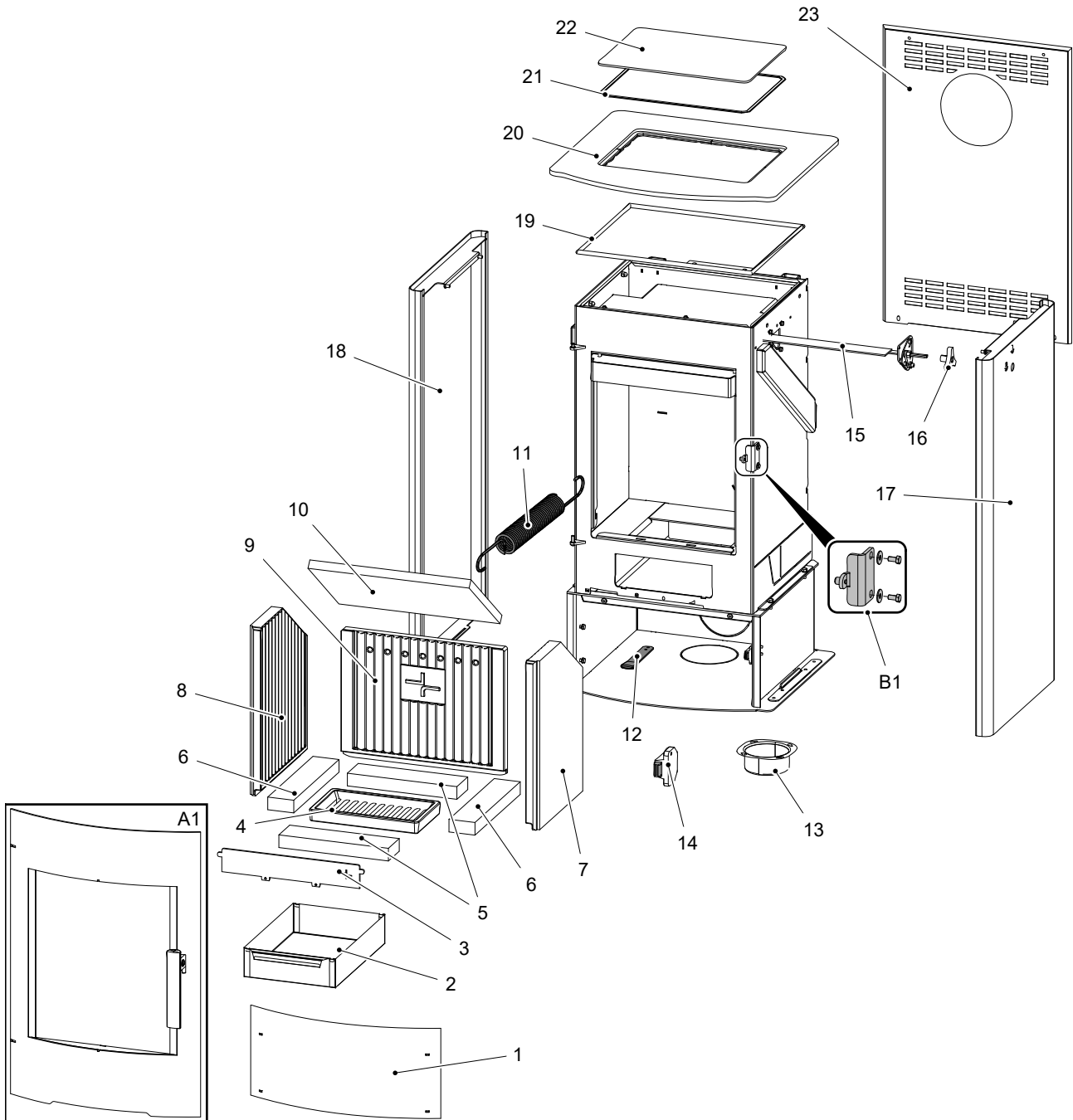
GB

2. List of spare parts

2.1. Overall scheme of the model

List of spare parts

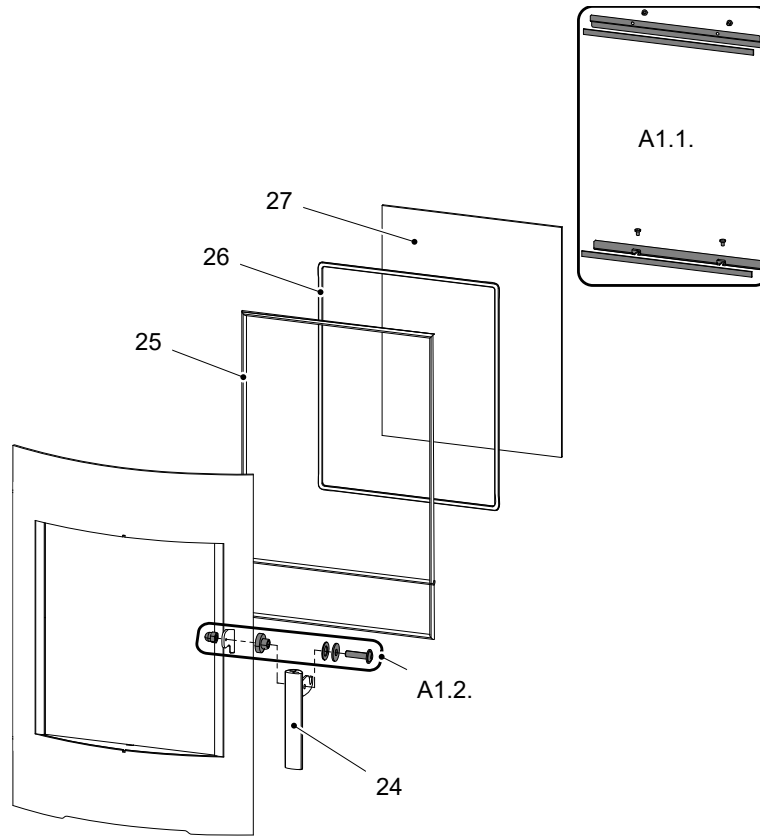
GB



Item	Name	Quantity	Number of goods
Overall scheme of the model			
A1	Fire-box door (complete)/black	1 piece	0424618005300
B1	Door lock (complete)	1 piece	0424637005001
1	Bottom door/black	1 piece	0424618005925

2	Ashpan	1 piece	0424617405600
3	Protection/black	1 piece	0424617405005
4	Fire grate/black	1 piece	0429415005005
5	Brick 30x70x261	2 piece	0424617405506
6	Brick 30x62x292	2 piece	0424617405505
7	Lateral brick right (30x300x415)	1 piece	0428315005502
8	Lateral brick left (30x300x415)	1 piece	0428315005503
9	Rear brick (30x390x320)	1 piece	0428315005501
10	Screen loose (vermikulit)	1 piece	0424618005504
11	Door spring	1 piece	0428612005002
12	Control drawbar/black	1 piece	0424618005017
13	External air input (Ø100)	1 piece	0088500050008
14	Magnet	1 piece	0595015005002
15	Hob regulator/black	1 piece	0424618015020
16	Handle	1 piece	0424618005007
17	Right lateral panel/black	1 piece	0424618015200
17	Right lateral panel/white	1 piece	0424618016200
17	Right lateral panel/stainless	1 piece	0424618035200
18	Left lateral panel/black	1 piece	0424618015100
18	Left lateral panel/white	1 piece	0424618016100
18	Left lateral panel/stainless	1 piece	0424618035100
19	Top cover sealing cord 12 mm	1530 mm	0041012120005
20	Top cover/black	1 piece	0424618005011
21	Hotplate sealing cord 8x2 mm	1200 mm	0040208020006
22	Hotplate/glass ceramic	1 piece	0424618105010
23	Rear cover	1 piece	0424618005016

2.2. Detail A1



List of spare parts

GB

Item	Name	Quantity	Number of goods
Detail A1			
A1.1.	Glass holder – set/black	1 piece	0424617405304
A1.2.	Handle connecting material – set	1 piece	0424617405315
24	Handle/black	1 piece	0424618005310
25	Door sealing cord 10 mm	2210 mm	0040300100005
26	Glass sealing cord 10x4 mm	1500 mm	0040210040005
27	Refractory glass (4x338x431)	1 piece	0424637005301

3. Easy control

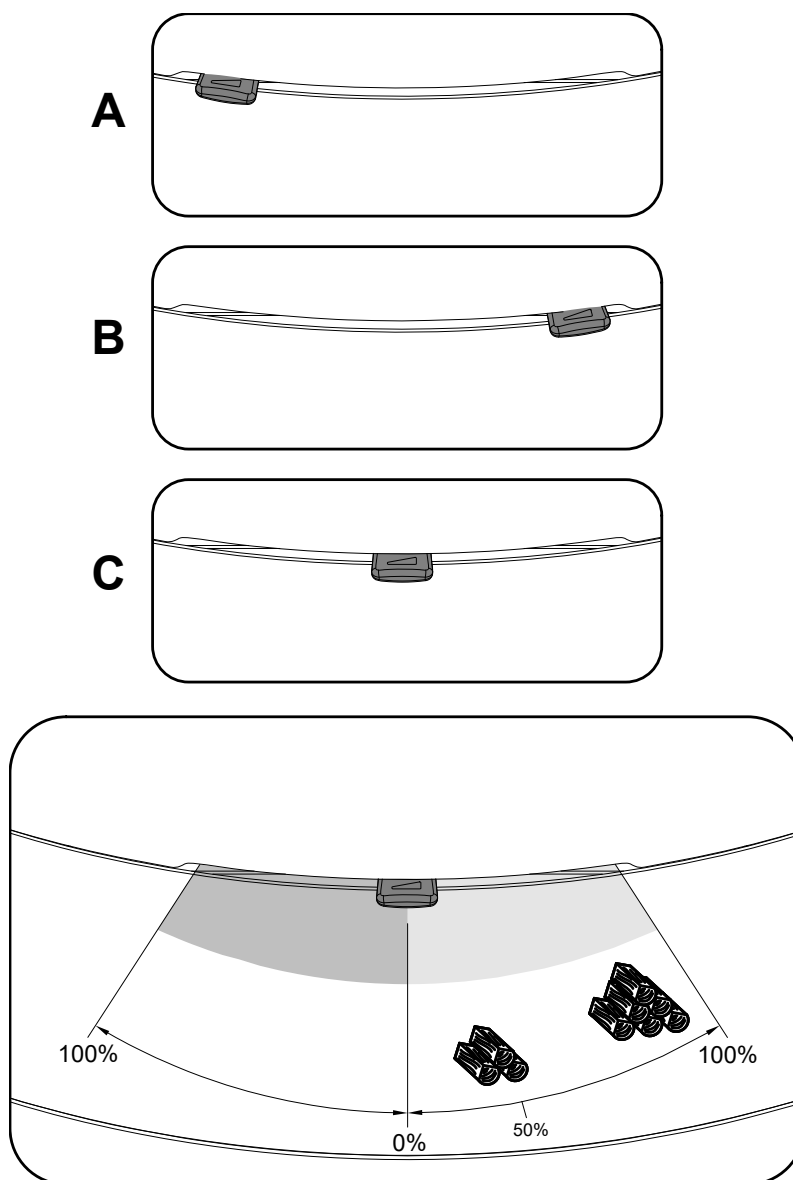
Control of all three air inputs - primary, secondary, tertiary - by means of one sole controller.

1. The controller is in the position intended for ignition (fig. A). All three air inputs are open (primary, secondary, tertiary).
2. The controller is in the position intended for burning of the stove after ignition (fig. B).
3. The controller is in the position designed to close air inputs (Fig. C). No input is open (primary, secondary, tertiary). This position is used only when the stove is out of operation, after finishing the heating process.



WARNING

Air inputs may not be closed during the heating operation (Fig. C)! In an extreme case, there can occur an explosion in the stove followed by breaking of glass, blowing up of cinders across the room and breaking out of the fire.



4. Hotplate temperature control

The temperature of the hotplate can be controlled in two stages:

Position A The controller is in the position for the minimum hotplate temperature (up to 220 °C).

Position B The controller is in the position for the maximum hotplate temperature (up to 320 °C). Do not use this mode when the stove is working.



CAUTION

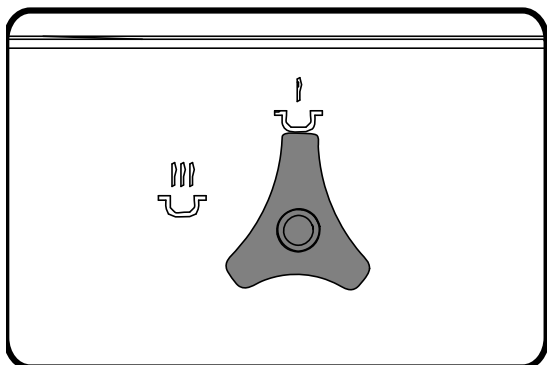
To avoid the formation of condensate in the flue gas pipe, make sure that the controller is in the A position when the stove is working.



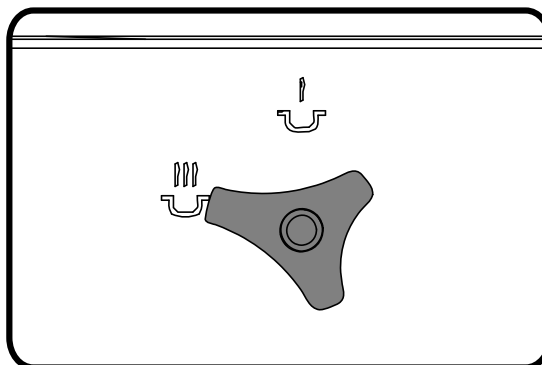
WARNING

Attention, even if the controller is in position A, the hotplate is hot and there is a risk of burns! Do not place any flammable objects on the hotplate!

A

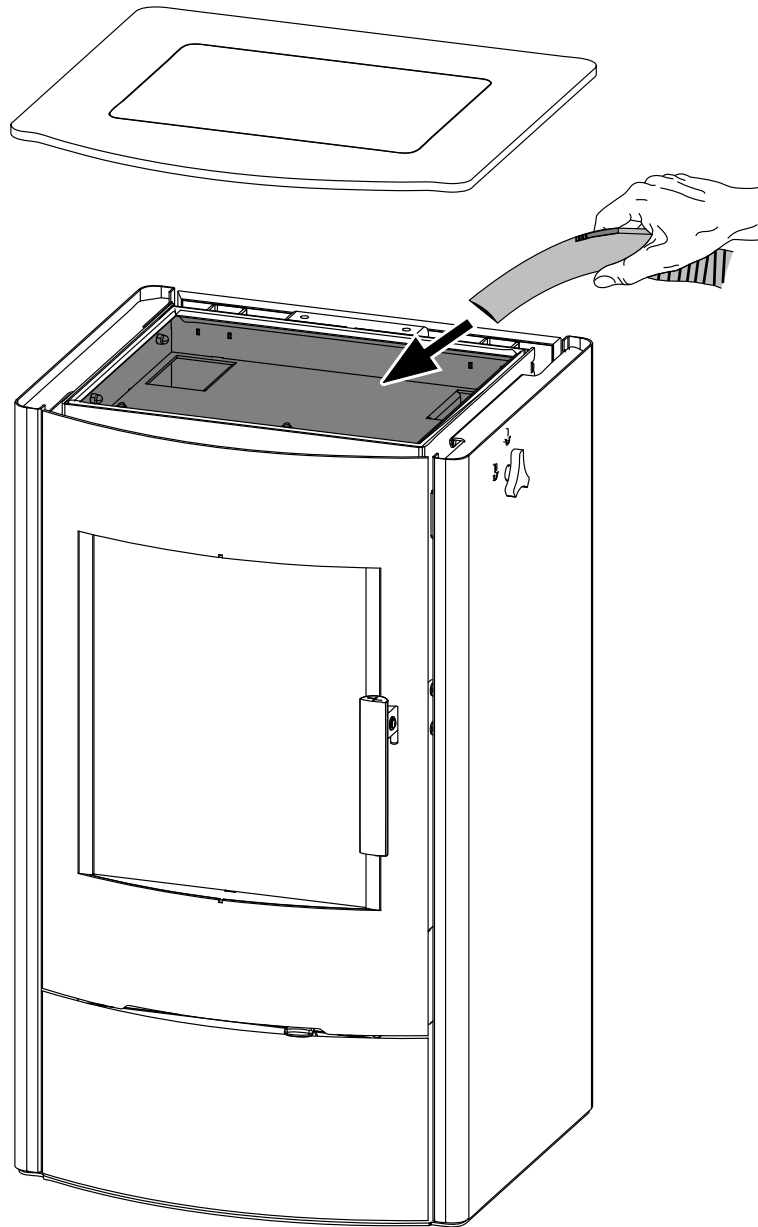


B



5. Cleaning the flue gas pipe

Cleaning should only be carried out when the stove is in a cooled state and after ensuring that the hotplate and the entire lid are properly seated so that there are no leaks in the flue gas pipe.

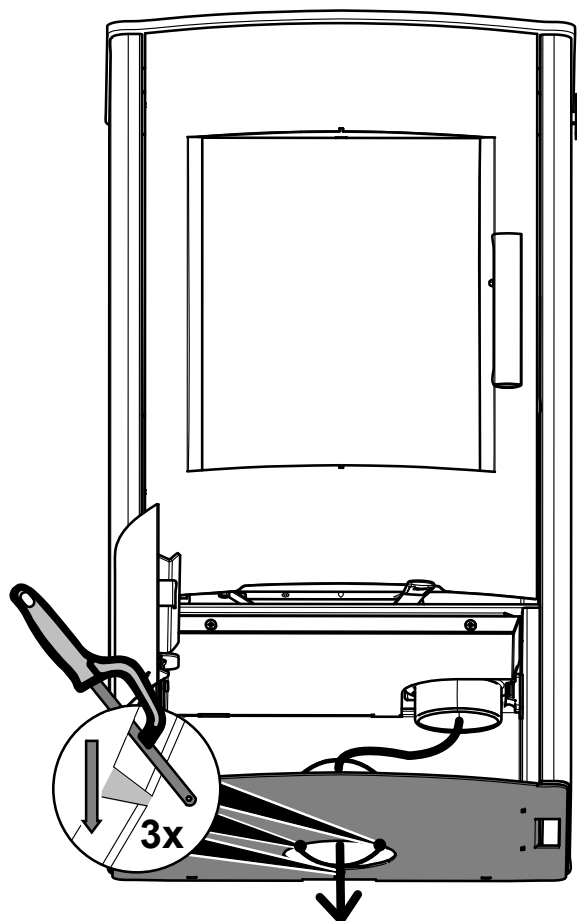
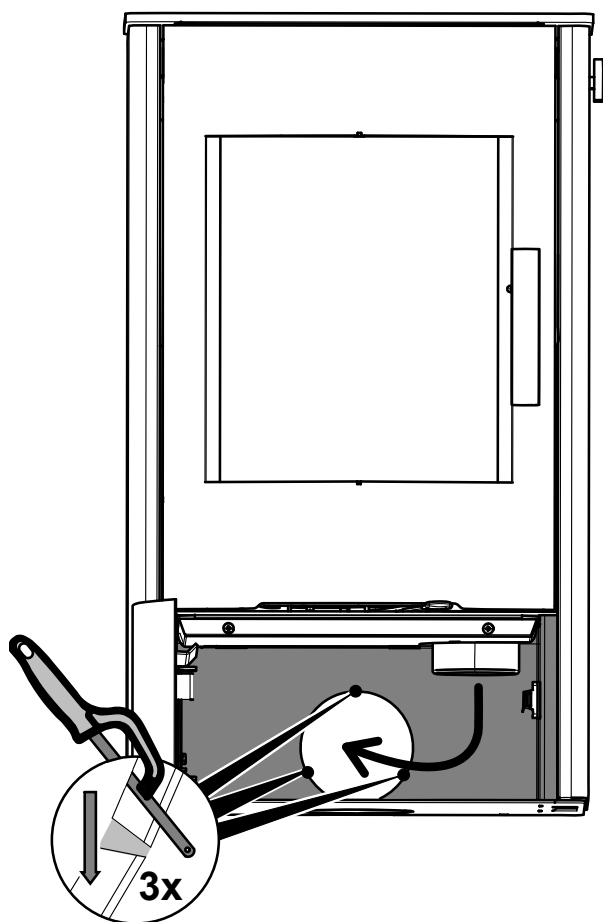


6. Change of the external air input

A

B

Change of the external air input



GB