

HAAS
+
SOHN

Faro

Equipment sheet
Fireplace stove

GB

Introduction

We thank you very much for purchasing our product!

The description of the heating device will inform you in detail about the design, technical specification and operation of the heating device. We recommend you to acquaint yourselves closely with these data. In this way, you will avoid possible faults during the proper assembly and operation.

You will find detailed conditions of installation and operation in General Manual of Operation (included in the scope of the delivery).

Notes in the text

GB



Of utmost importance there are the notes entitled **WARNING**. The notes entitled **WARNING** advise you on **serious danger of damage to the heating device or of an injury**.



The note entitled **Notice** advises you on possible damage to your heating device.



The note entitled **Important** calls your attention to the information important for the operation of your heating device.

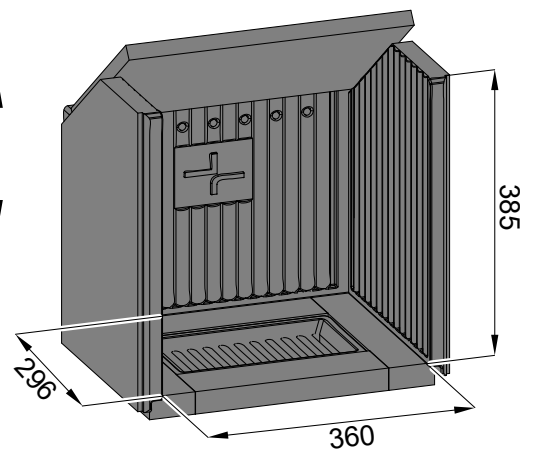
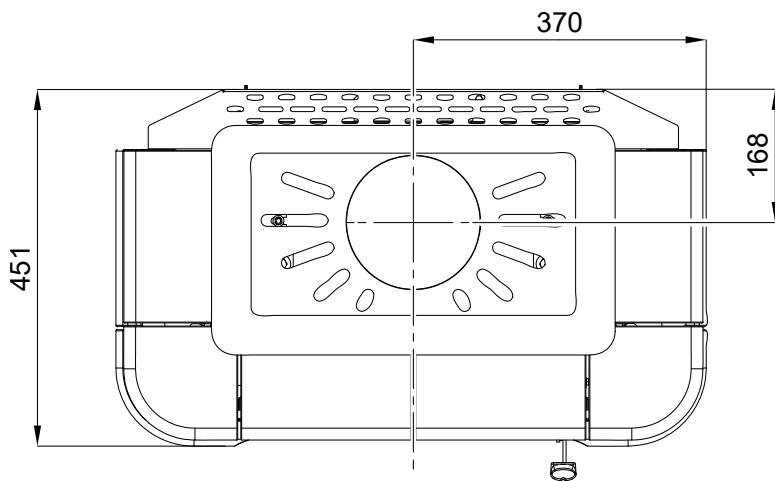
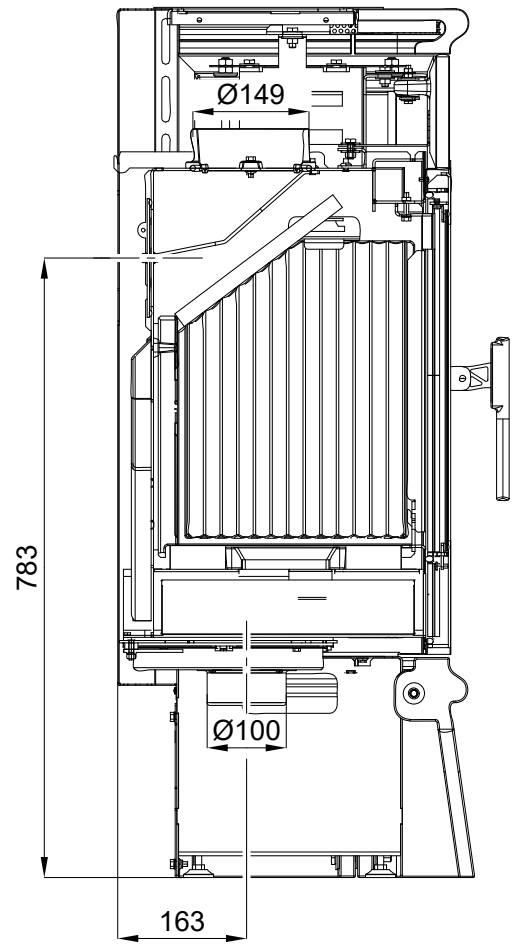
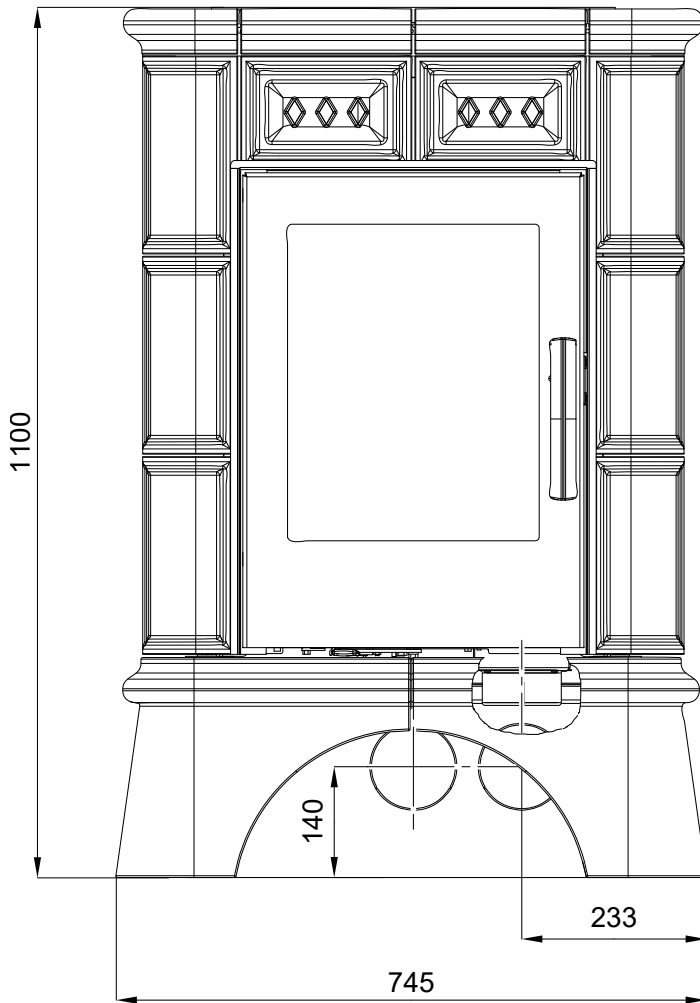


The note itself calls your attention to the information important for the operation of your heating device in general.

Contents

1. Technical description	1
2. List of spare parts	2
2.1. Overall scheme of the model	2
2.2. Detail A1	5
3. Easy control	6
4. Change of the smoke neck	7
5. Conversion of the external air input	8
6. Fixing the door in the open position	9

1. Technical description



Technical description

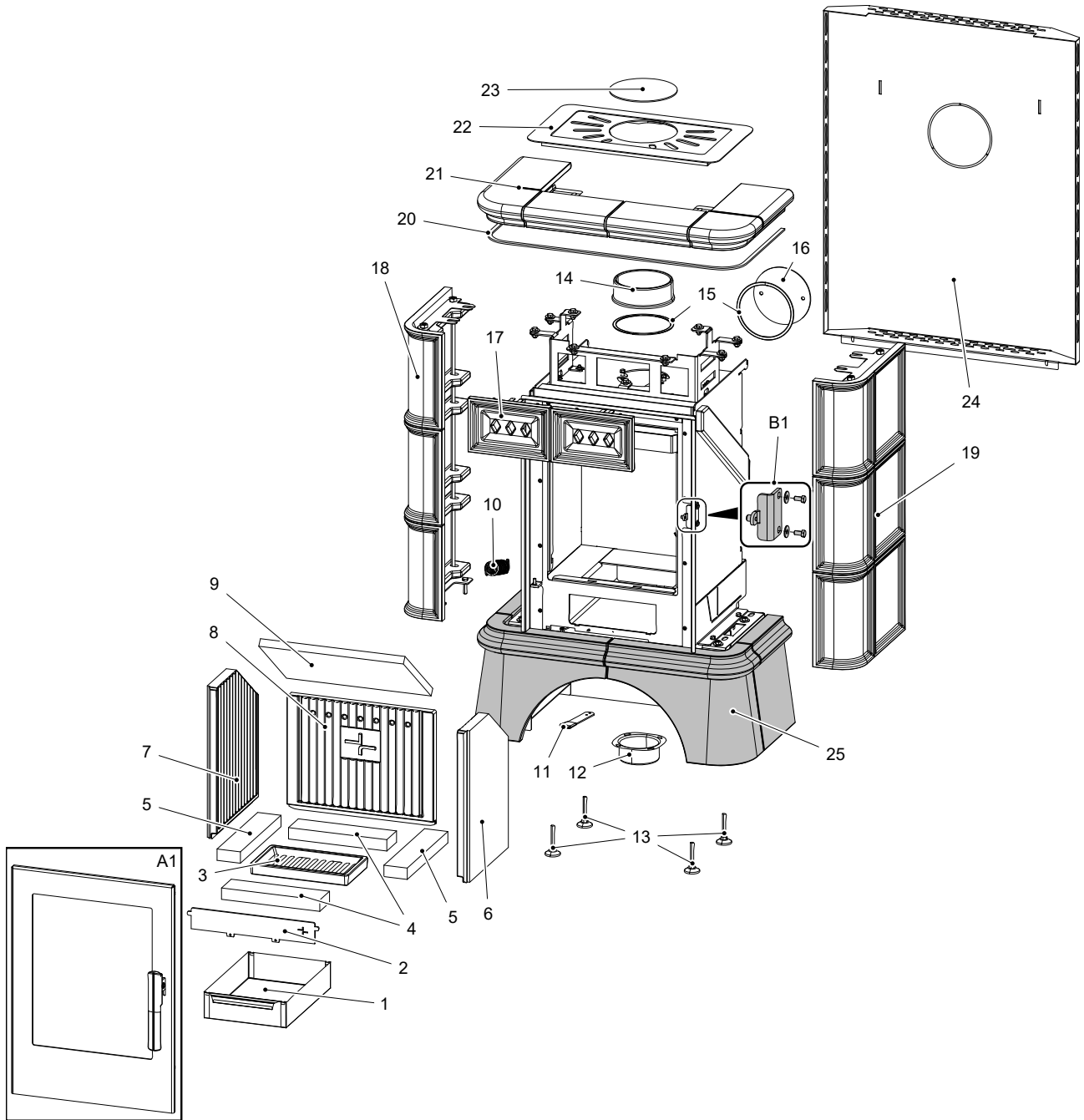
GB

2. List of spare parts

2.1. Overall scheme of the model

List of spare parts

GB

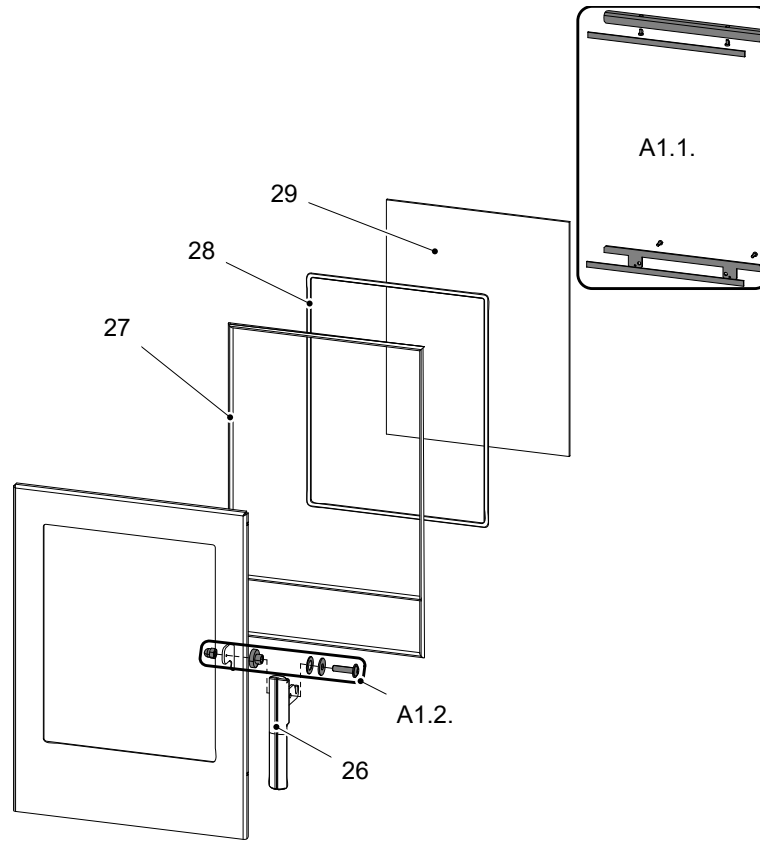


Item	Name	Quantity	Number of goods
Overall scheme of the model			
A1	Fire-box door (complete)/black	1 piece	0424637005300
B1	Door lock (complete)	1 piece	0424637005001
1	Ashpan	1 piece	0424617405600

2	Protection/black	1 piece	0424617405005
3	Fire grate/black	1 piece	0429415005005
4	Brick 30x70x261	2 piece	0424617405506
5	Brick 30x62x292	2 piece	0424617405505
6	Refractory lining – right (30x300x415)	1 piece	0428315005502
7	Refractory lining – left (30x300x415)	1 piece	0428315005503
8	Refractory lining – rear (30x390x320)	1 piece	0428315005501
9	Screen loose (vermiculite)	1 piece	0424617405504
10	Door spring	1 piece	0428612005002
11	Control drawbar/black	1 piece	0424637005015
12	External air input (Ø100)	1 piece	0088500050008
13	Stand	4 piece	0089000020005
14	Smoke flue neck/black	1 piece	0494015005020
15	Smoke flue sealing 8x2 mm	470 mm	0040208020006
16	Smoke flue blind flange/black	1 piece	0424617405011
17	Ceramic front tiles/honey cake	1 piece	0424637005100
17	Ceramic front tiles/green	1 piece	0424637015100
17	Ceramic front tiles/ivory	1 piece	0424637025100
17	Ceramic front tiles/brown	1 piece	0424637035100
18	Ceramic lateral lining — left/honey cake	1 piece	0332015036100
18	Ceramic lateral lining — left/green	1 piece	0332015106100
18	Ceramic lateral lining — left/ivory	1 piece	0332015056100
18	Ceramic lateral lining — left/brown	1 piece	0332015026100
19	Ceramic lateral lining — right/honey cake	1 piece	0332015036101
19	Ceramic lateral lining — right/green	1 piece	0332015006101
19	Ceramic lateral lining — right/ivory	1 piece	0332015056101
19	Ceramic lateral lining — right/brown	1 piece	0332015026101
20	Sealing cord 10x4 mm	1350 mm	0040210040005
21	Ceramic mantelpiece/honey cake	1 piece	0424637005110
21	Ceramic mantelpiece/green	1 piece	0424637015110
21	Ceramic mantelpiece/ivory	1 piece	0424637025110
21	Ceramic mantelpiece/brown	1 piece	0424637035110
22	Top cover/black	1 piece	0332015006155
23	Upper blind flange/black	1 piece	0331415005060
24	Rear cover/black	1 piece	0424637005120
25	Ceramic base/honey cake	1 piece	0433915036180
25	Ceramic base/green	1 piece	0433915006180

25	Ceramic base/ivory	1 piece	0433915055180
25	Ceramic base/brown	1 piece	0433915026180

2.2. Detail A1



Item	Name	Quantity	Number of goods
Detail A1			
A1.1.	Glass holder – set/black	1 piece	0424637005303
A1.2.	Handle connecting material – set	1 piece	0424637005315
26	Fire-box door lever lock (complete)	1 piece	0424637005310
27	Door sealing cord 12 mm	2200 mm	0041012120005
28	Glass sealing cord 8x2 mm	1500 mm	0040210040005
29	Refractory glass (4x338x431)	1 piece	0424637005301

3. Easy control

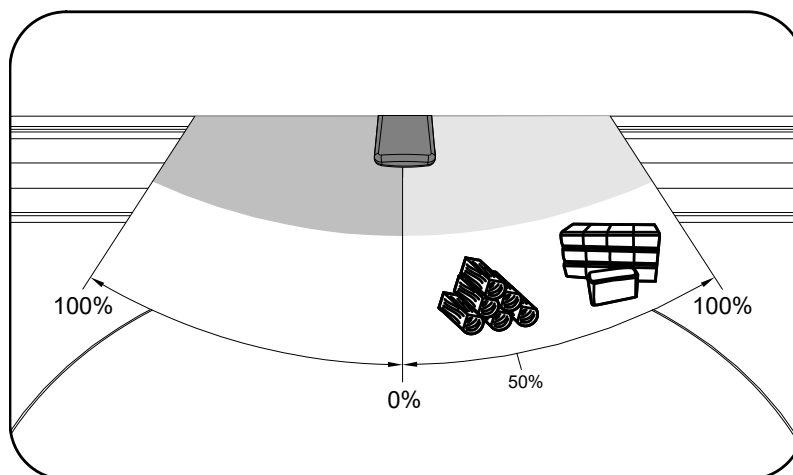
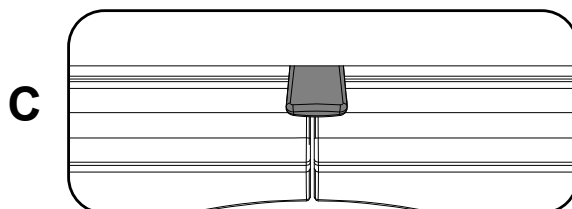
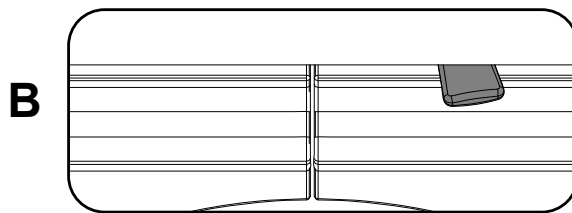
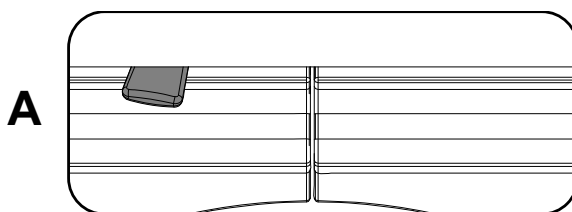
Control of all three air inputs - primary, secondary, tertiary - by means of one sole controller.

1. The controller is in the position intended for ignition (fig. A). All three air inputs are open (primary, secondary, tertiary).
2. The controller is in the position intended for burning of the stove after ignition (fig. B).
3. The controller is in the position designed to close air inputs (Fig. C). No input is open (primary, secondary, tertiary). This position is used only when the stove is out of operation, after finishing the heating process.

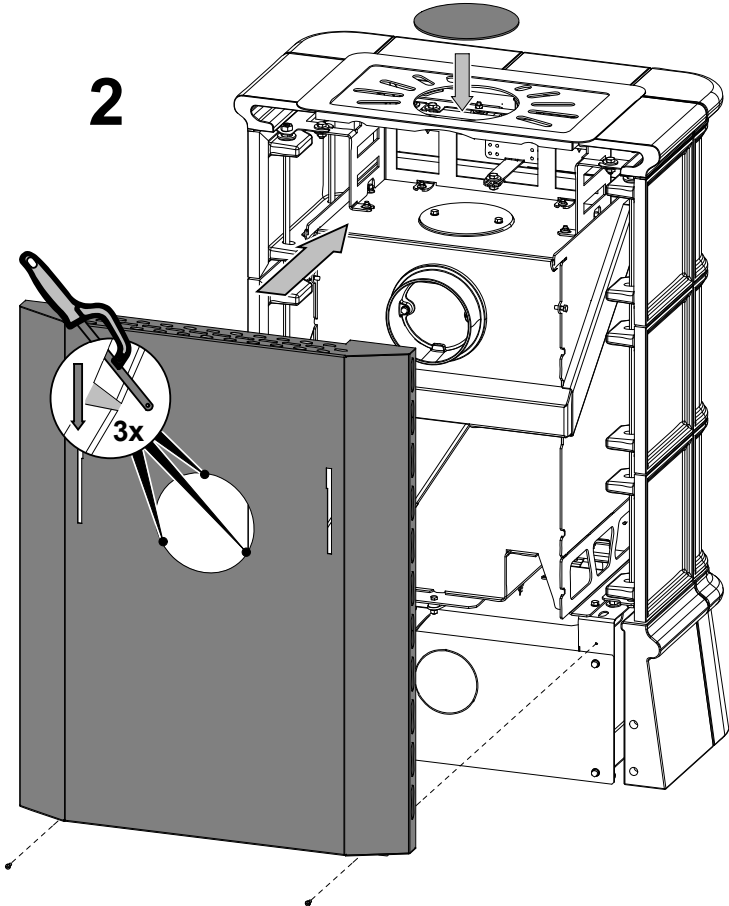
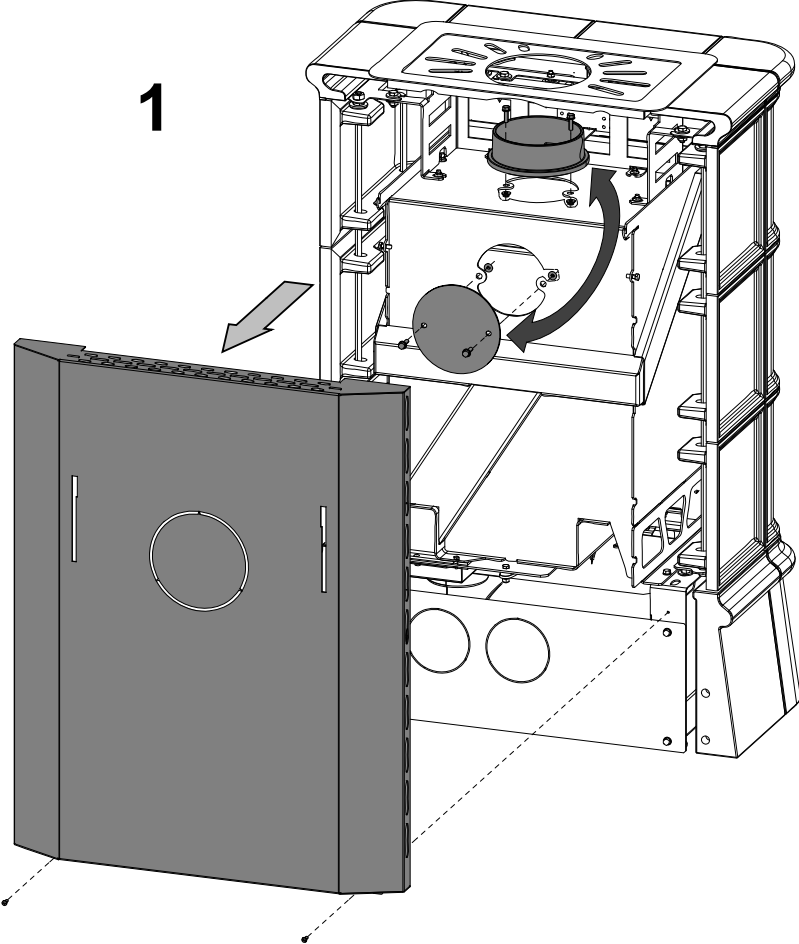


WARNING

Air inputs may not be closed during the heating operation (Fig. C)! In an extreme case, there can occur an explosion in the stove followed by breaking of glass, blowing up of cinders across the room and breaking out of the fire.



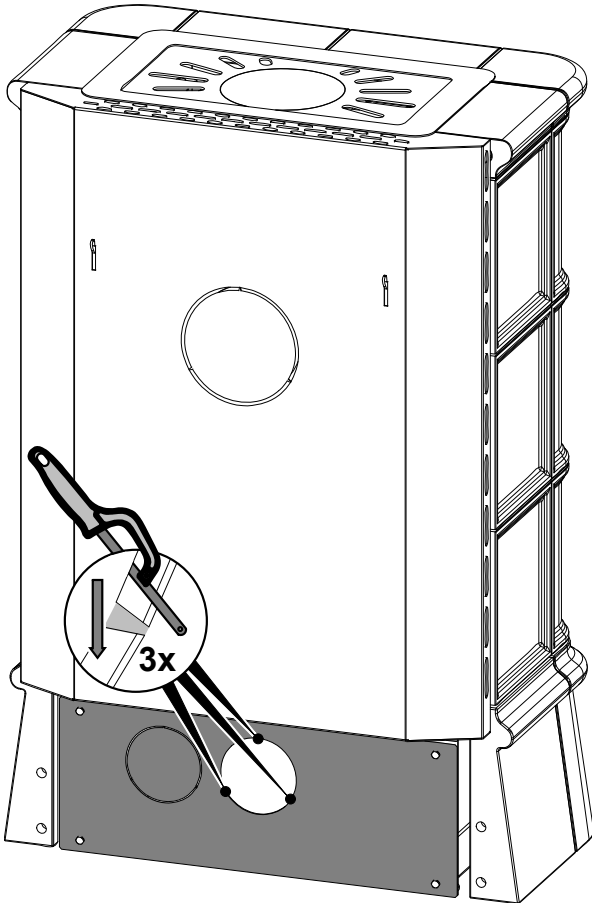
4. Change of the smoke neck



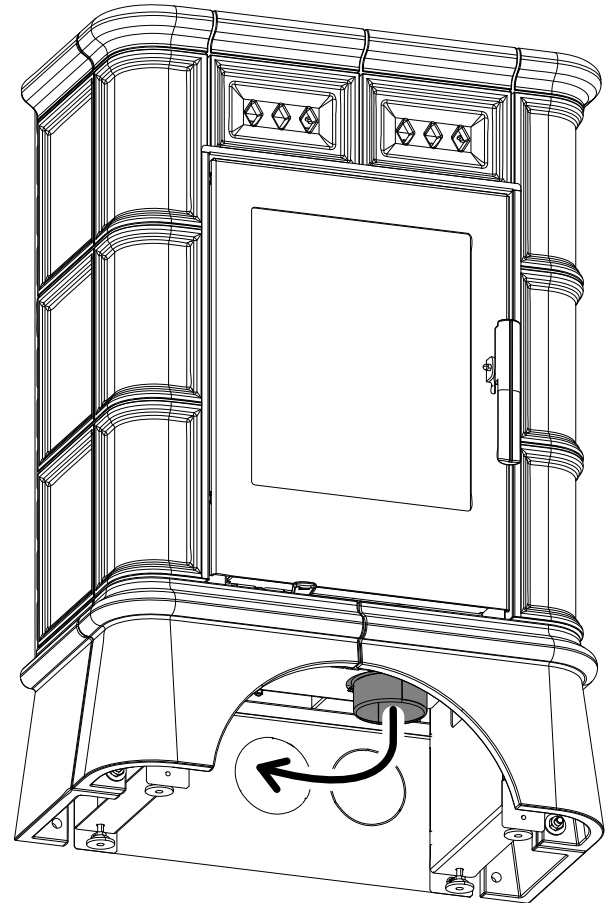
5. Conversion of the external air input

Conversion of the external air input

1



2



GB

6. Fixing the door in the open position

You can fix the combustion chamber door in the open position to make cleaning more convenient. Use the latch to lock the door open, as shown in the image below.



WARNING

Never leave the door open during heating!

