

HAAS
+
SOHN

Treviso mini

Equipment sheet
Fireplace stove

GB

Introduction

We thank you very much for purchasing our product!

The description of the heating device will inform you in detail about the design, technical specification and operation of the heating device. We recommend you to acquaint yourselves closely with these data. In this way, you will avoid possible faults during the proper assembly and operation.

You will find detailed conditions of installation and operation in General Manual of Operation (included in the scope of the delivery).

Notes in the text

GB



Of utmost importance there are the notes entitled **WARNING**. The notes entitled **WARNING** advise you on **serious danger of damage to the heating device or of an injury**.



The note entitled **Notice** advises you on possible damage to your heating device.



The note entitled **Important** calls your attention to the information important for the operation of your heating device.

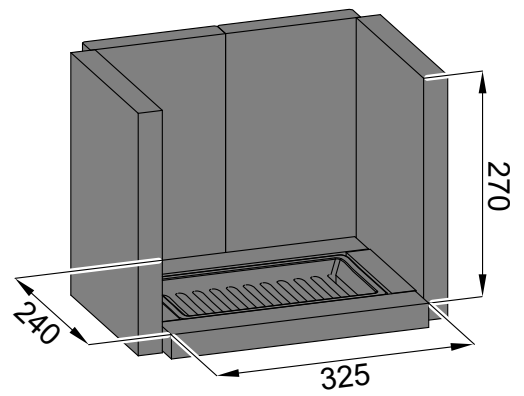
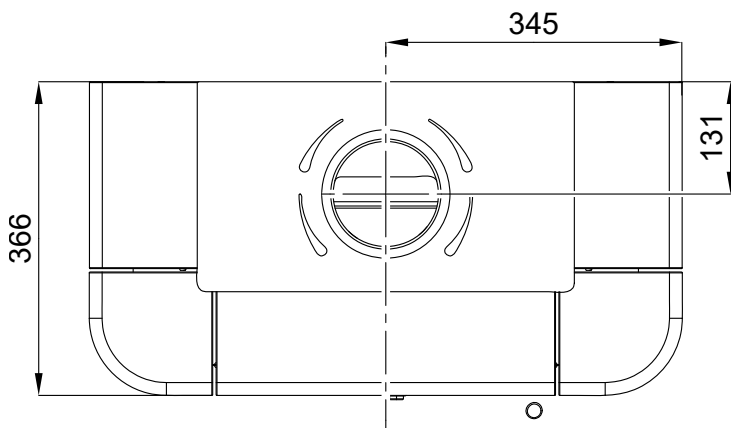
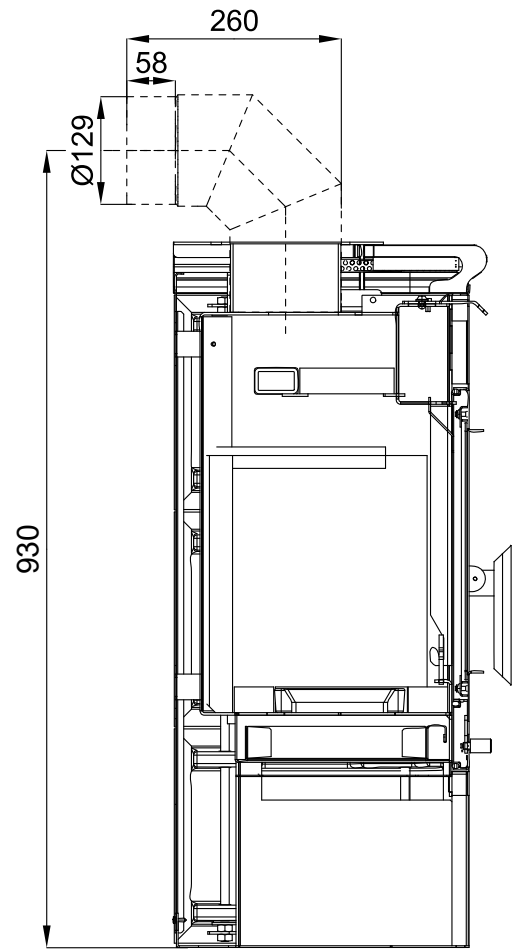
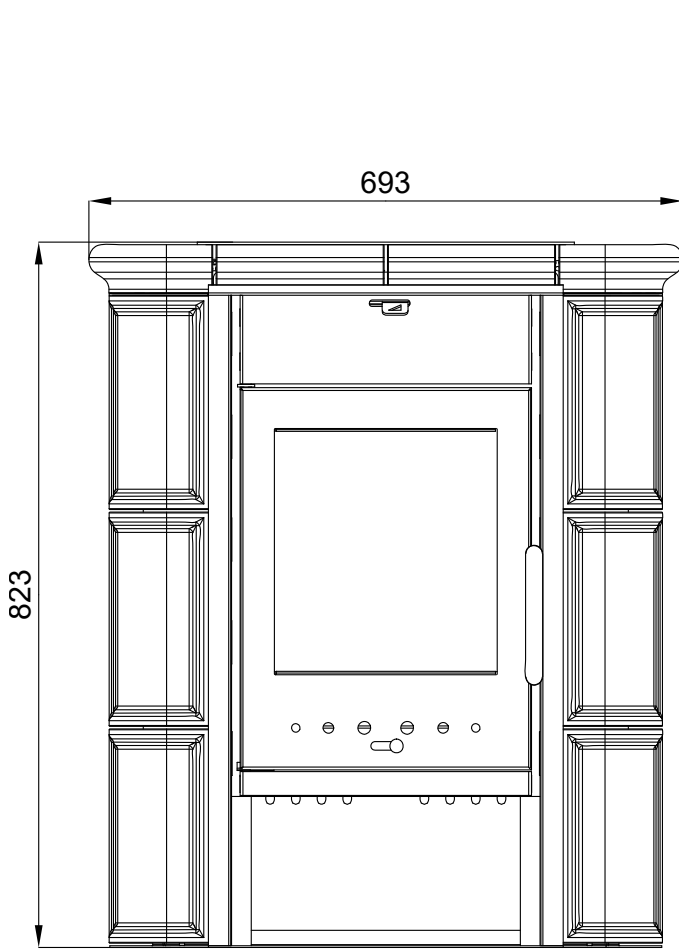


The note itself calls your attention to the information important for the operation of your heating device in general.

Contents

1. Technical description	1
2. Overview of spare parts	2
2.1. Whole emplacement.....	2
2.2. Detail A1	4

1. Technical description



Technical description

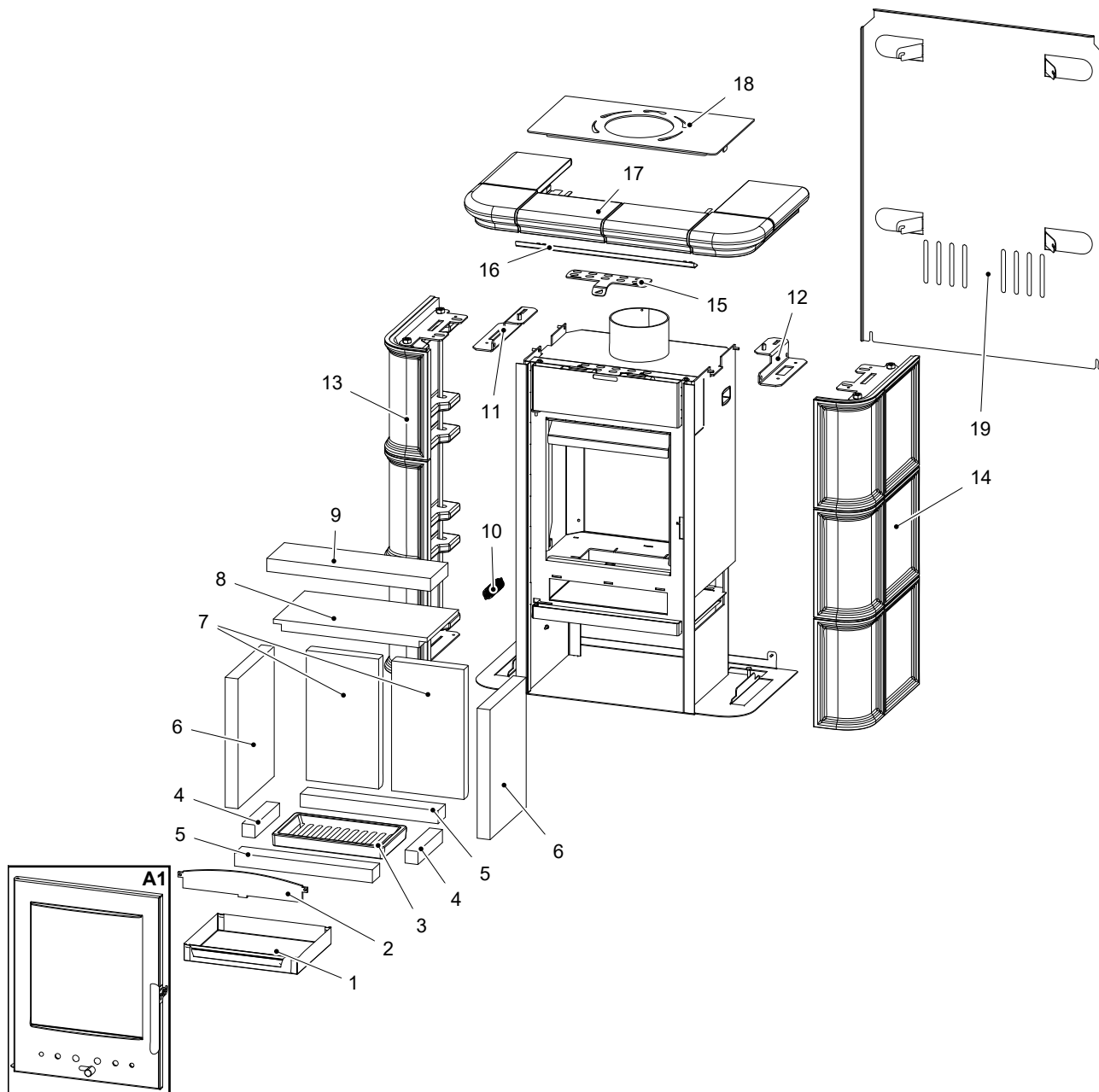
GB

2. Overview of spare parts

2.1. Whole emplacement

Overview of spare parts

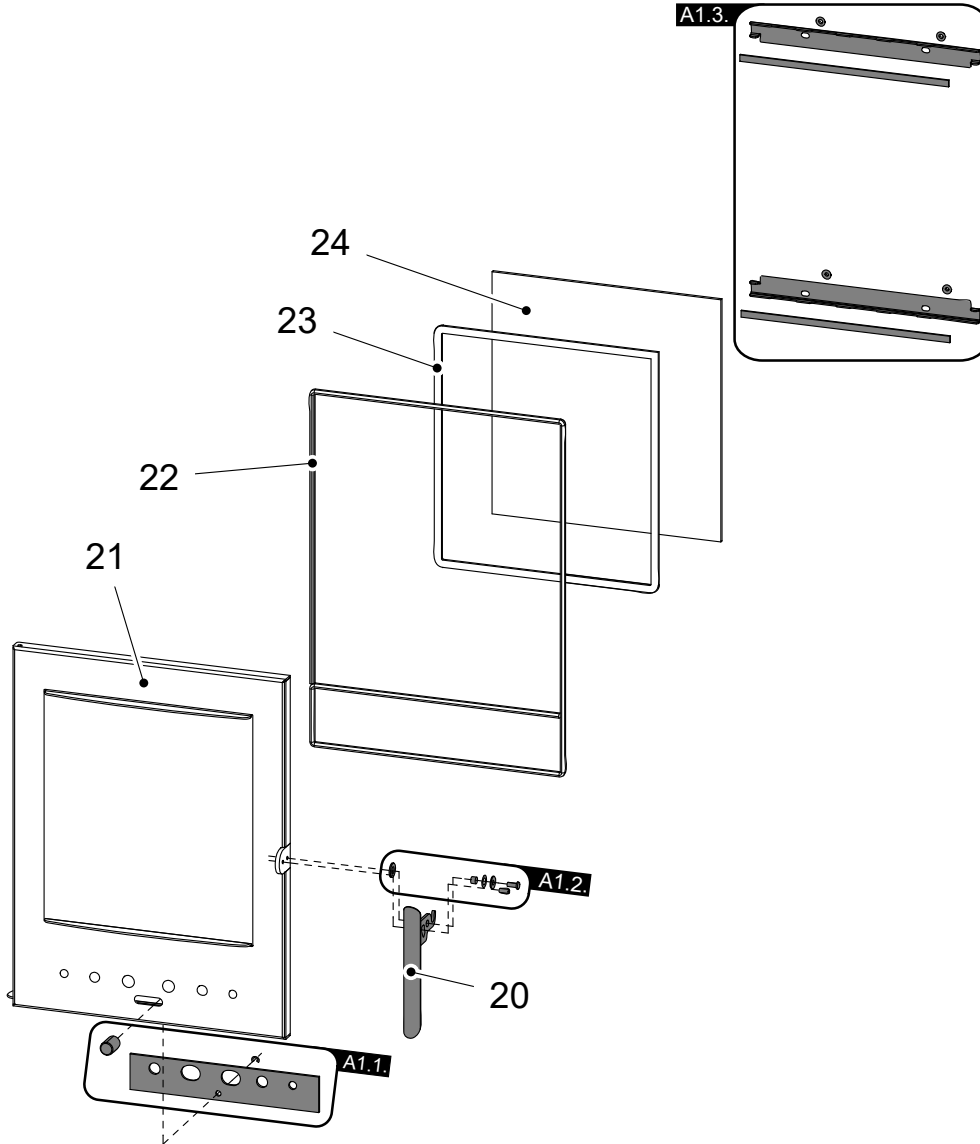
GB



Item	Name	pcs	Spare part number
Whole emplacement			
A1	Fire-box door (complete)/black	1 piece	0434320005300
1	Ashpan	1 piece	0432215005600
2	Protection/black	1 piece	0432215006015
3	Grate/black	1 piece	0429415005005

4	Fire clay 30x30x154	2 piece	0432215005505
5	Fire clay 30x46x320	2 piece	0432215005503
6	Fire clay 30x227x300	2 piece	0432215005502
7	Fire clay 30x168x300	2 piece	0434315005501
8	Lower lip (25x197x357)	1 piece	0432215005701
9	Upper lip (30x110x380)	1 piece	0432215005702
10	Spring	1 piece	0088400020005
11	Holder for side tiles left/black	1 piece	0434320005030
12	Holder for side tiles right/black	1 piece	0434320005035
13	Ceramic lateral lining left/green	1 piece	0434320005100
13	Ceramic lateral lining left/ivory	1 piece	0434320015100
14	Ceramic lateral lining right/green	1 piece	0434320005101
14	Ceramic lateral lining right/ivory	1 piece	0434320015101
15	Controller of secondary air/black	1 piece	0434315005001
16	Covering panel/black	1 piece	0434320005001
17	Upper mantelpiece/green	1 piece	0434320005102
17	Upper mantelpiece/ivory	1 piece	0434320015102
18	Top cover/black	1 piece	0434320005040
19	Rear cover	1 piece	0434320005050

2.2. Detail A1



GB

Item	Name	pcs	Spare part number
Detail A1			
A1.1.	Controller of primary air — set/black	1 piece	0430815010306
A1.2.	Set of door screw coupling	1 piece	0434325006305
A1.3.	Set of glass holders/black	1 piece	0434325005307
20	Hand pull with hand pull attachment	1 piece	0434325005305
21	Fire-box door/black	1 piece	0434320005200
22	Sealing cord of the door 8 mm	1800 mm	0040300080005
23	Sealing cord of the glass 10x4 mm	1200 mm	0040210040005
24	Refractory glass (4x285x300)	1 piece	0432215005301